

Voltage Detector for Medium / Low voltage

HSF-7 type For AC80~7000V

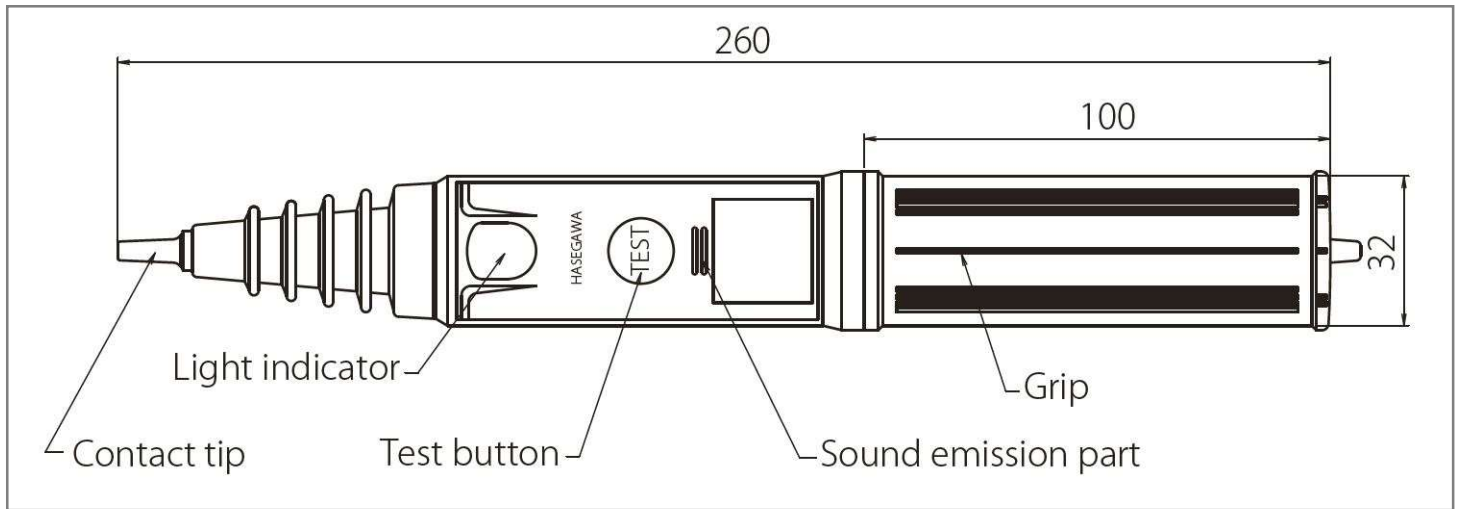


Accessory: Storage case

■ Features

- Medium voltage and low voltage can be identified with the indication[Sound and light].
- Low voltage detection is indicated by intermittent sound and light, and medium voltage is indicated by continuous sound and light.
- Feeling of firm grip.

■ Dimensions



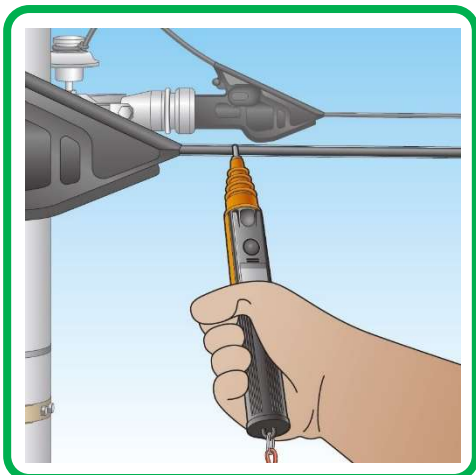
■ Specifications

Working Voltage Range		AC80~7000V
Operation starting voltage (Voltage to ground)	Low voltage	Exposed live part 80V (in contact with live part)
	Middle voltage	Exposed live part 400V (in contact with live part)
	Insulated wire	(Φ5mm OC wire) 3000V
Frequency		50Hz/60Hz
Insulation Resistance		The same spot as the dielectric strength test : 100MΩ or more
Dielectric Strength		20kV for 1min between contact tip and grip
Leakage Current		1mA or more at the dielectric strength test
Battery		R03(1.5V) ×2pcs
Battery life		About 6hr. Under continuously operating state(with new battery).
Operating Temperature		-10℃ ~ +40℃
Weight		About 150g

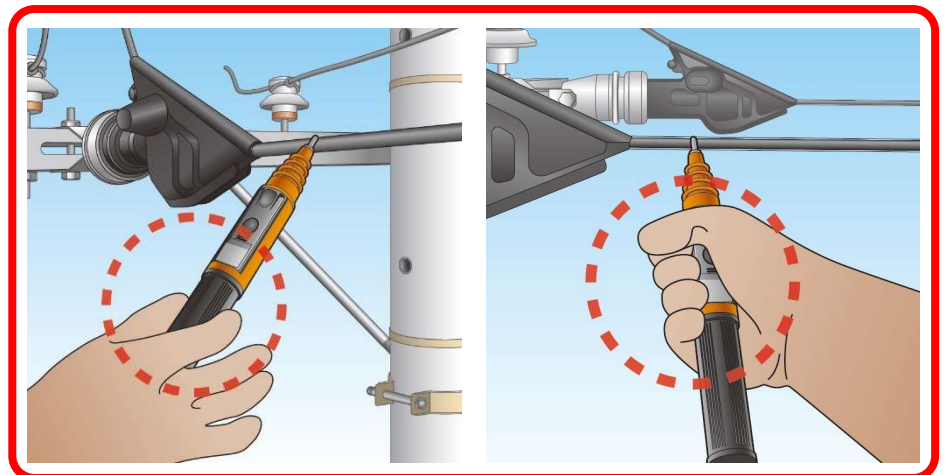
■ How to use

- Firmly, hold the grip in the palm of your hand and touch an electric line with the contact tip to detect the voltage.
- When the detecting the high voltage, be sure to wear high voltage insulation gloves.

[Correct]



[Wrong]



HASEGAWA ELECTRIC CO., LTD

<http://www.hasegawa-elec.co.jp> infor@hasegawa-elec.co.jp