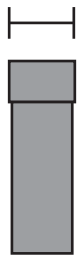


EC Series

4.3" Economic Borescope 2way Articulation

- High Performance at Affordable Price
- 4.3" HD LCD Monitor
- 2way articulation probe. 180° bending angle each side.
- 720P HD Camera 1280 x 720 Resolution.
- Snapshot & Video Recording
- LED brightness adjustment
- Dispatchable Probe & Display

8.5mm



12mm



Probes are available
in two sizes.





180° rotation



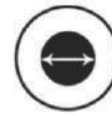
Video



Take a photo



720P



8.5mm



6 LED

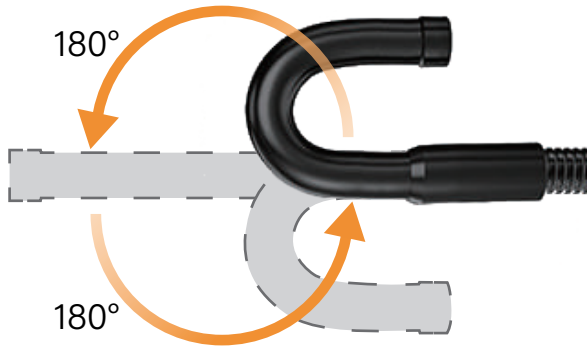


EC series videoscopes are widely used in many fields, such as automotive manufacturing, car aftermarket, police security checking, aviation and aerospace area, special inspection institute, pharmaceutical machinery, non-destructive testing explosion-proof detection, ect.



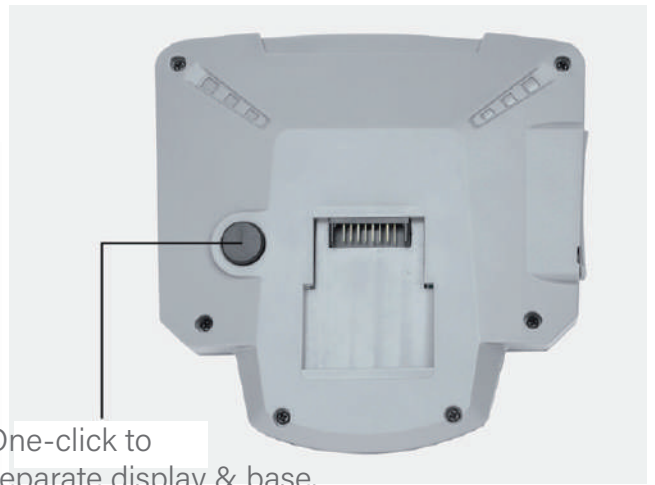
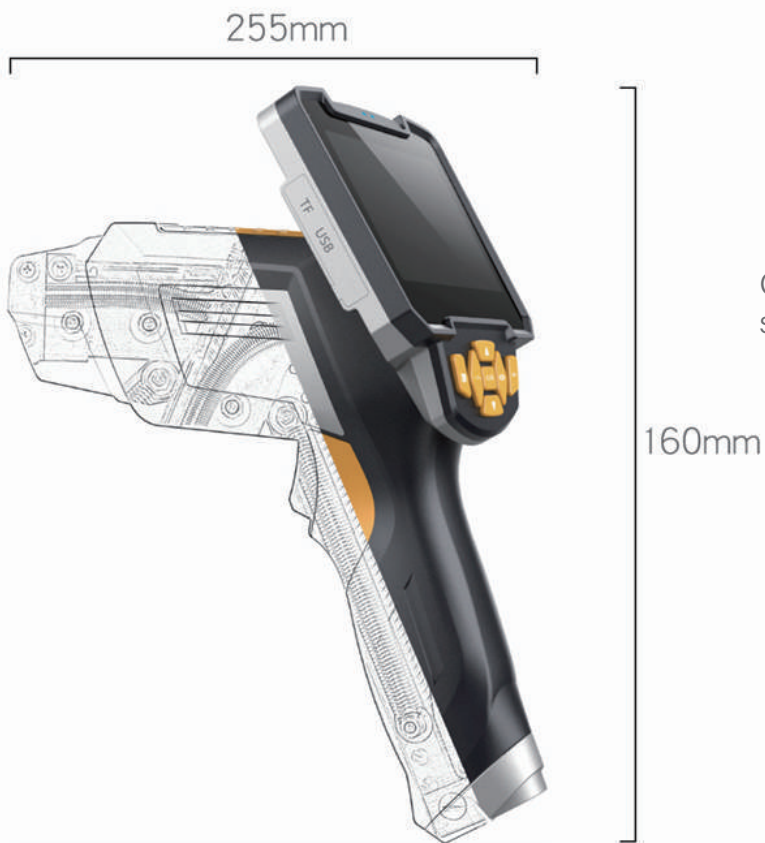
Main console system and camera with IP67 waterproof rating. Even if the weather is bad, it will not affect the work.

The two-way probe articulation can be bent 180° left and right. You can freely explore every corner by adjusting the angle of the controller.










1080P high resolution can be real-time Present a clearer and brighter image.





Button Introduction

-  — Snapshot / Video Recording / Stop recording.
-  — Back to the previous page.
- ok** — Determine.
-  — Camera mode / Flip vertically / Other modes / Move up or move left.
-  — Photo mode / Flip horizontally / Other modes / Move down or move right.
-  — Menu.
-  — Adjust the brightness of the LED.
(the brightness of the lens is divided into three levels.)
-  — Long press for three seconds to turn on/off.

Model

Model	Display	Tip Dia.	Length	Articulation	Camera Resolution	Probe Material
ECR-85002	4.3"	Ø8.5mm	0.8M	2Way	1280 X 720	Semi-rigid
ECS-85002	4.3"	Ø8.5mm	0.8M	2Way	1280 X 720	Soft-metal
ECR-85012	4.3"	Ø8.5mm	1.5M	2Way	1280 X 720	Semi-rigid
ECS-85012	4.3"	Ø8.5mm	1.5M	2Way	1280 X 720	Soft-metal
ECR-85022	4.3"	Ø8.5mm	2M	2Way	1280 X 720	Semi-rigid
ECS-85022	4.3"	Ø8.5mm	2M	2Way	1280 X 720	Soft-metal
ECR-12002	4.3"	Ø12mm	0.8M	2Way	2592 X 1944	Semi-rigid
ECS-12002	4.3"	Ø12mm	0.8M	2Way	2592 X 1944	Soft-metal
ECR-12012	4.3"	Ø12mm	1.5M	2Way	2592 X 1944	Semi-rigid
ECS-12012	4.3"	Ø12mm	1.5M	2Way	2592 X 1944	Soft-metal
ECR-12022	4.3"	Ø12mm	2M	2Way	2592 X 1944	Semi-rigid
ECS-12022	4.3"	Ø12mm	2M	2Way	2592 X 1944	Soft-metal

Specification

Model (Series)	ECR-85002	ECR-85012	ECR-85022	ECR-12002	ECR-12012	ECR-12022
Probe Diameter	Φ8.5mm			Φ12mm		
Probe length	0.8m	1.5m	2m	0.8m	1.5m	2m
Display	4.3" IPS color display					
Display Resolution	640 X 480					
Camera Resolution	1280 X 720 (720P)			2592 × 1944 (5MP)		
D.O.F.	20mm ~ 60mm			20mm ~ Infinity (auto focus)		
F.O.V.	70°					
Articulation	2 Way Articulation by Steering Knob Control , 180° Each Side, Minimum Bending Radius: 45mm					
Probe Material	Semi-rigid (Soft-metal for option)					
Light Source	6 LED, 3 Level Brightness Adjustable					
Water Proof	Camera: Yes / Probe: No / Display: No					
Menu Language	English / French / German / Spanish / Japanese / Traditional Chinese Simplified Chinese / Russian / Korean/ Italian					
Storage	16GB TF SD Card (Max support 64GB) / FAT32 file format					
Storage Image /Video Format	JPEG 1280*720 / MOV 1280*720					
Image Function	Image Flip Vertical (up/down reverse)					
Data Port	TV video output, Micro USB port					
Working Time	≥4 hours					
Operating temperature	0°C - 65 °C					
Battery Capacity	3.7V • 18650 type lithium-ion rechargeable built-in battery 2600mAh					
Power Charge	DC5V, 1A					
Package	375 X 220 X 70mm ; GW : 1.5KG					
Accessory	Main console, 4.3" display, insertion probe, TF card , user manual, portable case, USB cable, cleaning cloth					