

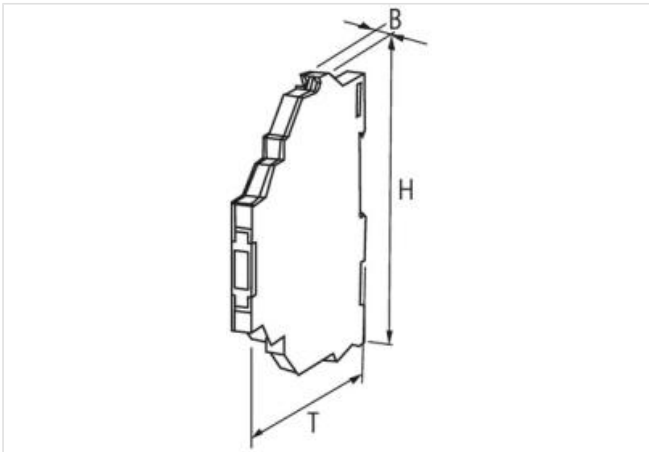
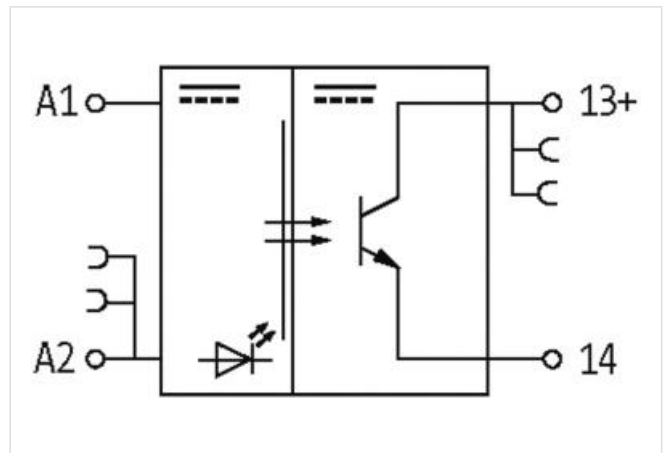
## MIRO TR 90-250VAC FK OPTO-COUPLER MODULE

IN: 250 VAC - OUT: 48 VDC / 2 A

Transistor 2 A  
230 V AC  
Spring clamp terminals

### [Link to Product](#)

#### Illustration



Product may differ from Image



#### General data

|                        |                                |
|------------------------|--------------------------------|
| Mounting method        | DIN-rail mountable (EN 60715)  |
| Temperature range      | -20...+60 °C                   |
| Test isolation voltage | 2.5 kV                         |
| Housing                | Black plastic, flame retardant |
| Dimensions HxWxD       | 78x6.2x70 mm                   |

#### Output

|                                    |                               |
|------------------------------------|-------------------------------|
| Leakage current (output is open)   | max. 0.3 mA                   |
| Switching time ON/OFF              | 3/10 ms                       |
| Saturation voltage (across output) | max. 0.3 V DC                 |
| Switching voltage                  | 5...48 V DC                   |
| Switching frequency                | max. 10/1 Hz (resist./ind.)   |
| Switching current per output       | 1 mA...2 A (without derating) |

**Input**

|                   |               |
|-------------------|---------------|
| Control current   | 15 mA         |
| Voltage range OFF | 0...30 V AC   |
| Voltage range ON  | 90...250 V AC |
| LED display       | LED (yellow)  |

Product article number of manufacturer 6652508