



SIMATIC S7-1200, CM 1243-2 communication module AS-Interface master according to AS-i specification V3.0

General technical data

product designation		AS-Interface Master
product type designation		CM 1243-2
protection class IP		IP20
type of electrical connection of the AS-Interface		Screw-type connection
type of voltage supply		via backplane bus
operating condition separate power supply 24 V		No
consumed current		
• from profile conductors of the AS-Interface		
— at 30 V maximum	mA	100
• from backplane bus maximum	mA	250
power loss [W]	W	2.9
insulation voltage rated value	V	500
product function suitable for AS-i Power24V		Yes
• note		All product versions
product feature redundancy capability		No
product function		
• web-based management		No
• diagnostics via email		No
• galvanic isolation		Yes
display version		
• as status display by LED		AS-i, PF, CM, CER, DIAG
type of configuration of the AS-Interface		With STEP 7, command interface

Communication/ Protocol

version of the AS-Interface specification		V 3.0
AS-Interface master profile is supported		M4 (in acc. with AS-interface specification V 3.0)
type of data transmission		S7-1200 backplane bus
number of units per CPU maximum		3
number of units per CPU maximum note		Max. 3 communication modules in total (CM /CP)
number of interfaces		
• as AS-Interface		1
• according to RS 485		0
• according to Industrial Ethernet		0
• according to PROFINET		0
• according to wireless		0
• according to USB		0
• other		0
product component optical interface		No
protocol is supported		
• ASIsafe (Safety at work) protocol		No
• PROFI-safe protocol		No
• PROFIBUS protocol		No

- PROFINET IO protocol
- PROFINET CBA protocol
- TCP/IP
- SNMP

standard for wireless communication IEEE 802.11

No
No
No
No
No

Inputs/ Outputs

number of inputs for AS-Interface maximum
 number of outputs for AS-Interface maximum
 number of AS-i slaves per AS-Interface maximum
 bus cycle time of the AS-Interface
 • for 31 slaves
 • for 62 slaves
 access to digital I/O data
 access to analog I/O data

496
 496
 62
 ms 5
 ms 10
 via process image/peripheral addresses
 via process diagram/peripheral addresses and data record transfer

Mechanical data

width
 height
 depth
 fastening method
 module format

mm 30
 mm 100
 mm 75
 snap-on fastening on 35 mm DIN rail
 S7-1200 design

Ambient conditions

ambient temperature
 • if installed on horizontal mounting rail
 • if installed on vertical mounting rail during operation
 • during transport
 • during storage
 relative humidity at 25 °C during operation maximum
 installation altitude at height above sea level maximum

°C 0 ... 55
 °C 0 ... 45
 °C -40 ... +70
 °C -40 ... +70
 % 95
 m 2 000

Safety related data

suitability for use safety-related function
 explosion protection marking for intrinsic safety of related equipment
 • EEx ia
 • EEx ib
 explosion protection category for gas
 explosion protection category for dust

No

 No
 No
 none
 none

Certificates/ approvals

General Product Approval

EMC

For use in hazardous locations

[Confirmation](#)

[FM](#)



For use in hazardous locations

Declaration of Conformity

Marine / Shipping

other



[Explosion Protection Certificate](#)



other

[Confirmation](#)

Further information

Information on the packaging

<https://support.industry.siemens.com/cs/ww/en/view/109813875>

Information- and Downloadcenter (Catalogs, Brochures,...)

<https://www.siemens.com/ic10>

Industry Mall (Online ordering system)

<https://mall.industry.siemens.com/mall/en/en/Catalog/product?mlfb=3RK7243-2AA30-0XB0>

Cax online generator

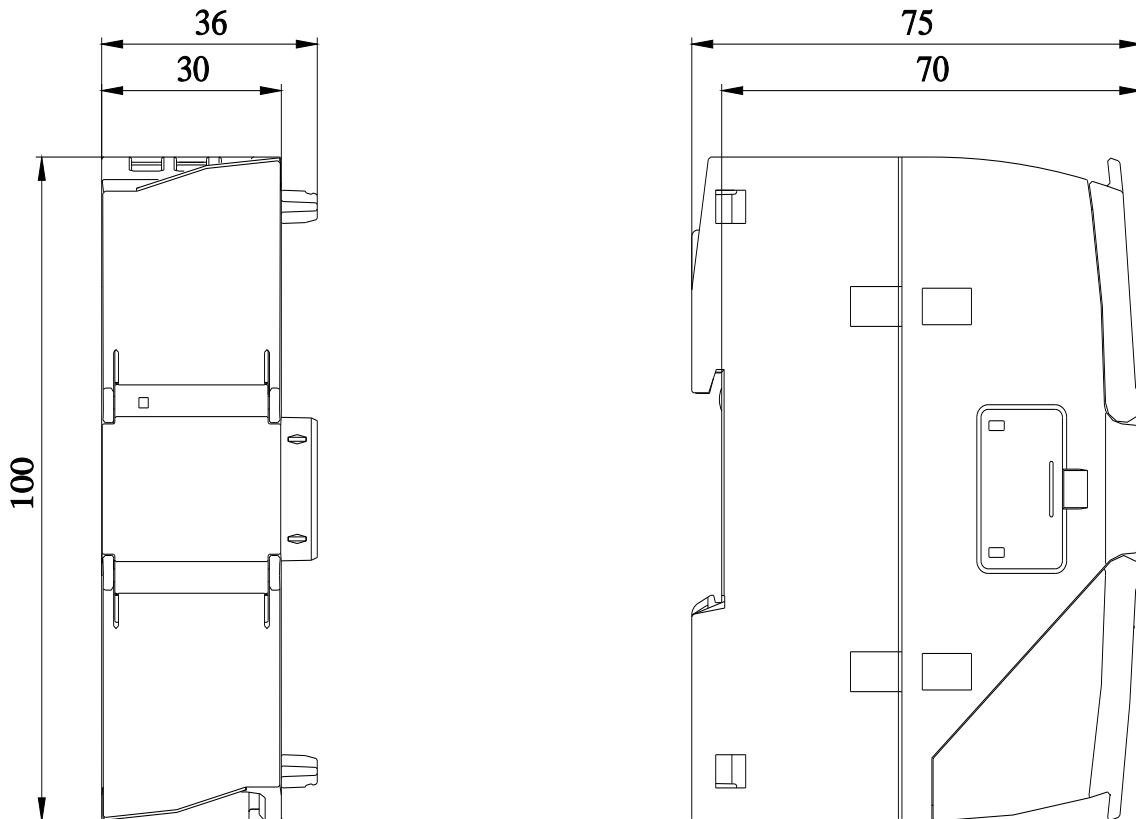
<http://support.automation.siemens.com/WW/CAXorder/default.aspx?lang=en&mlfb=3RK7243-2AA30-0XB0>

Service&Support (Manuals, Certificates, Characteristics, FAQs,...)

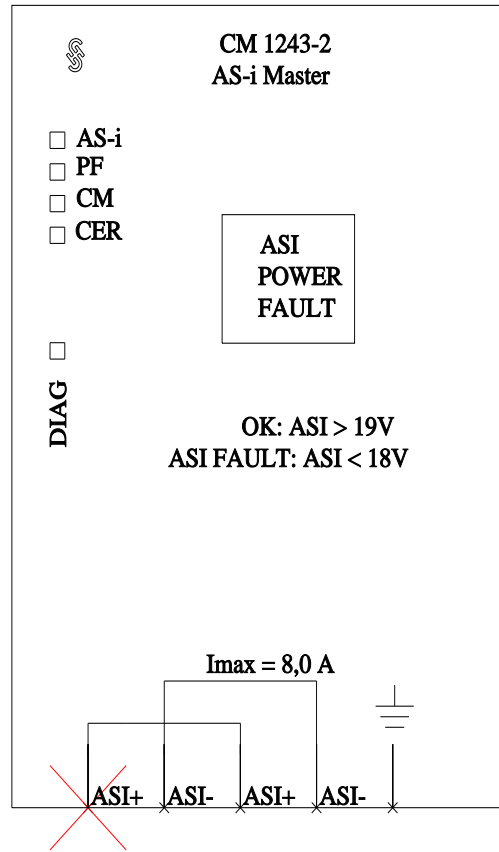
<https://support.industry.siemens.com/cs/ww/en/ps/3RK7243-2AA30-0XB0>

Image database (product images, 2D dimension drawings, 3D models, device circuit diagrams, EPLAN macros, ...)

http://www.automation.siemens.com/bilddb/cax_de.aspx?mlfb=3RK7243-2AA30-0XB0&lang=en



-A1



last modified:

11/21/2022