

FS-3A

Floatless level switch

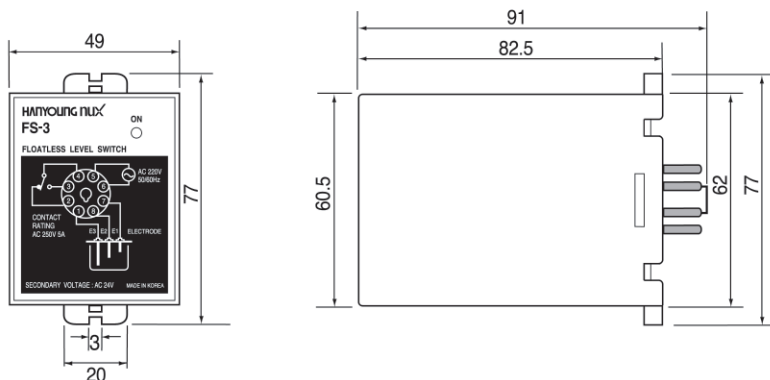
- Recommendable for water level control for irrigation, water purification
- Compact size and simple installation
- Operation state is indicated by the LED



Specification

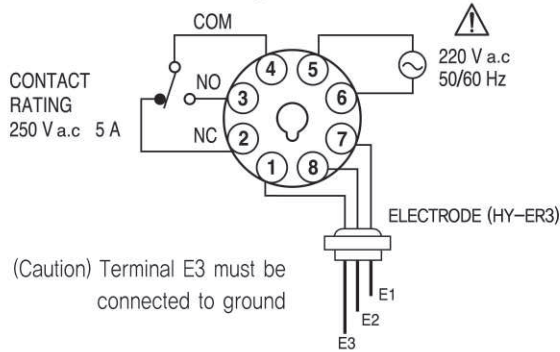
| Model | FS-3 A (High sensitivity) | FS-3 A (Low sensitivity) |
|---|--|--------------------------|
| Power Supply Voltage | 110 V AC / 220 V AC 50/60 Hz | |
| Allowable voltage fluctuation range | ± 10 % of the power supply voltage | |
| Voltage between the electrodes secondary voltage | 24 V AC | 8 V AC |
| Power consumption | Approx. 3.2 VA | |
| Response time | Max 80 ms when operating, max 160 ms when returning | |
| Operation resistance between electrodes | 0 – approx. 27 KΩ | 0 – approx. 7 KΩ |
| Return resistance between electrodes | Approx. 38 KΩ – ∞Ω | Approx. 15 KΩ – ∞Ω |
| Control output | Relay contact output (1c) : 250 V AC 5 A (Resistive load) | |
| Insulation resistance | 100 MΩ min (measured with 500 V DC) between electricity conduction part and exposed non-charged metal part | |
| Dielectric strength | 2000 V AC (50 – 60 Hz) for 1 minute between the two charged terminals | |
| Vibration resistance | 10 – 55 Hz per 1 minute, with 0.76 mm amplitude, for 2 hours in each of X, Y and z directions | |
| Shock resistance | 300 m/s ² | |
| Durability | Mechanically more than 5 million times (relay type), electrically more than 500 thousand times (load resistance) | |
| Ambient temperature | -10 ~ 50 °C (Under the condition of no ice formation) | |
| Ambient humidity | 35 ~ 85 % RH | |

Dimension (Unit : mm)



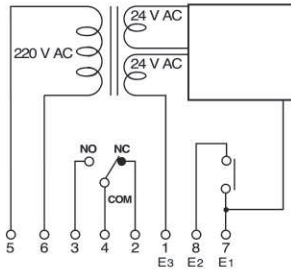
●● Connection diagram

■ External connection diagram

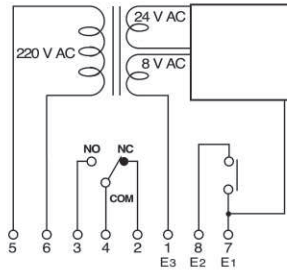


■ Internal connection diagram

① High sensitivity

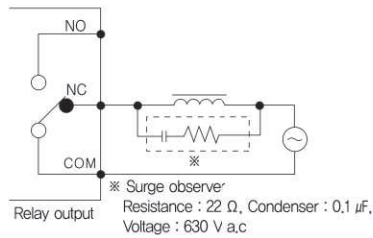


② Low sensitivity



■ Regarding the connection of load

· Attaching the surge observer at each end of inducible load (motor, solenoid and etc) as shown on the right side will prevent noise



■ HY-ER3

| Appearance | Dimension |
|------------|--|
| | <p>91.9 80 Ø78 3-Ø8.5 THREAD PF2 PIPE THREAD Ø66.4 17 10 27.6 66.6 SEPERATE COVER HOLE (- SCREW DRIVER) Ø29 3-Ø4.8 3-M3.5 CABLE RUBBER 3-M6X1.0 TAP HEXAGONAL BRASS BAR (SEPARATE COVER)</p> |