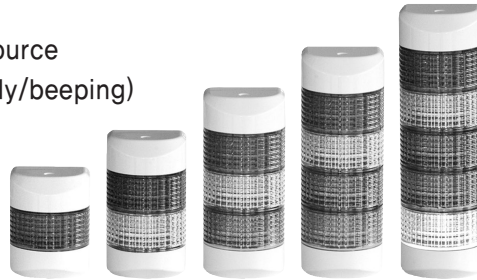


WMS series

Wall mounted light

- 1~5 modules, suitable for wall mounting
- Long life expectancy by HID LED light source
- 2 types of buzzer melodies (single melody/beeping)
- Continuous light indication, flashing light indication
- Degree of protection IP54



Control switch
Combination display light

Power switch
Main switch
Cam switch

Limit switch
Micro switch

Hoist switch
Foot switch
Mono lever switch

Sign tower
Signal light

Buzzer
Terminal block
Fuse holder

Control box
Cable connector

Discontinued Products

●● Suffix code

Model	Code	Description
WMS-	□ □ □	Wall mounted light
Function	A	Only for continuous light
	F	Continuous light, flashing light, buzzer (selected by the external signal)
Power supply voltage	C51	24 V d.c/a.c dual usage, 50 – 60 Hz (Standard specification)
	C41	12 V d.c/a.c dual usage, 50 – 60 Hz ※ "C41" Order made
Stacking modules	1	1 stack (Red)
	2	2 stack (Red, Green)
	3	3 stack (Red, Yellow, Green)
	4	4 stack (Red, Yellow, Green, Blue)
	5	5 stack (Red, Yellow, Green, Blue, White)

●● Specification

Model	WMS-A□C51	WMS-F□C51
Function	Only for continuous light	Continuous light, flashing light, buzzer (selected by the external signal)
Stacking number	1 ~ 5 stack	
Flashing time	-	Approx 60 times / 1 min
Buzzer	-	2 types of melodies (single melody/beeping) 70 dB (1 m distance)
Power supply voltage	24 V d.c/a.c (Dual usage), 50 – 60 Hz ※ 12 V d.c/a.c 50 – 60 Hz (Order made)	
Power consumption	3.2 W max (including the 5 buzzer) ※But, 0.5 W (Lamp/1 stack)	
Light source	LED	
Material	Lens : Polycarbonate (P.C), Body : ABS	
Lens color	Red, Yellow, Green, Blue, White (Left to right, top to button)	
Degree of protection	IP54	

○ Slim type wall mounted light

It is able to install it on the wall in vertical direction or horizontal direction and since it is a slim type (extended 65mm), it occupies a less space to install.



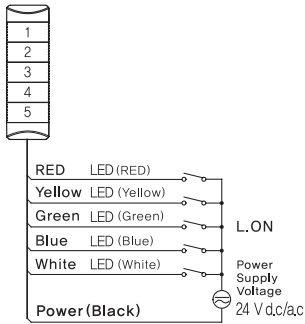
○ Dimension and panel cutout (unit : mm)

Model	Dimension				
Dimension					
Panel cutout					
Stacks	1 stack	2 stack	3 stack	4 stack	5 stack
Height (H)	102	140	178	216	254

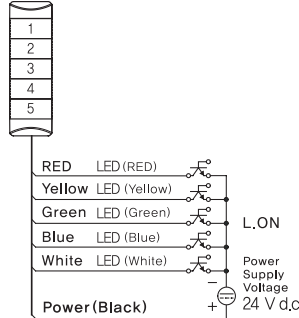
●● Connection diagram

■ WMS-A (Continuous light only)

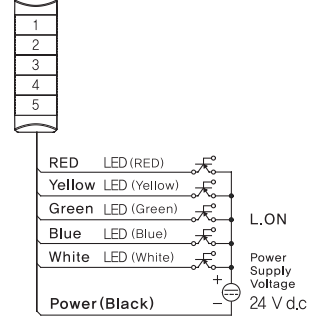
• Contact drive



• NPN transistor drive

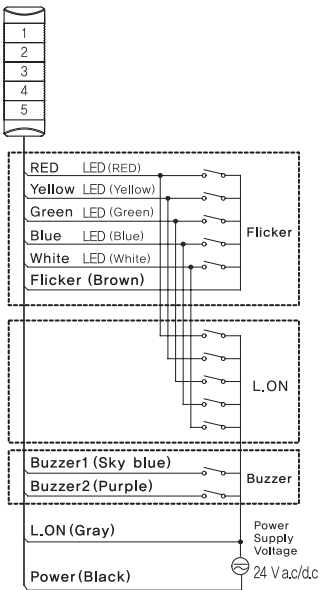


• PNP transistor drive

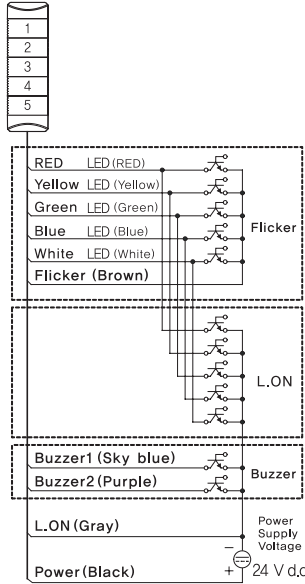


■ WMS-F (Continuous light, Flashing light, Buzzer)

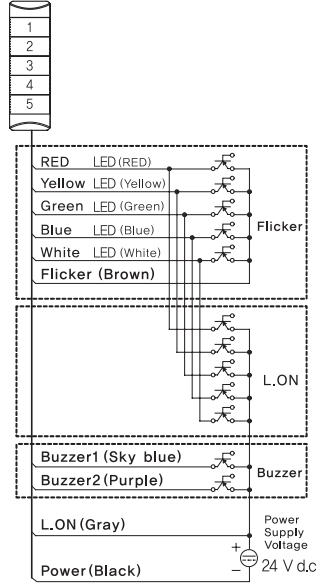
• Contact drive



• NPN transistor drive



• PNP transistor drive



※ Wire length : 1,000 mm

※ L.ON : Light on

- Control switch
Combination display light
- Power switch
Main switch
Cam switch
- Limit switch
Micro switch
- Hoist switch
Foot switch
Mono lever switch
- Sign tower
Signal light
- Buzzer
Terminal block
Fuse holder
- Control box
Cable connector
- Discontinued Products