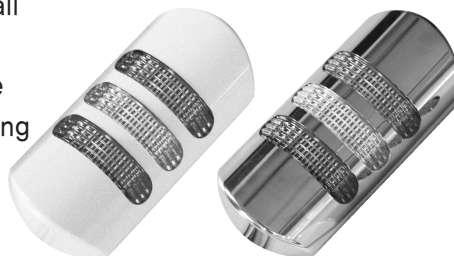


WME series

Wall mounted light

- 3 colors of light slim type and suitable for wall mounting
- Long life expectancy by HID LED light source
- 2 types of body : Beige color or chrome plating
- Continuous light indication, flashing light indication, 2 melodies buzzer built in
- Degree of protection IP54



●● Suffix code

Model	Code	Description
WME-	<input type="checkbox"/> <input type="checkbox"/> <input type="checkbox"/>	Wall mounted light
Appearance	B	Beige color body
	C	Chrome plating body
Function	A	Continuous light indication
	F	Continuous light indication, flashing light indication, buzzer (selected by the external signal)
Power supply voltage	C51	24 V d.c/a.c dual usage, 50 – 60 Hz
	C41	12 V d.c/a.c dual usage, 50 – 60 Hz * C41 optional

●● Specification

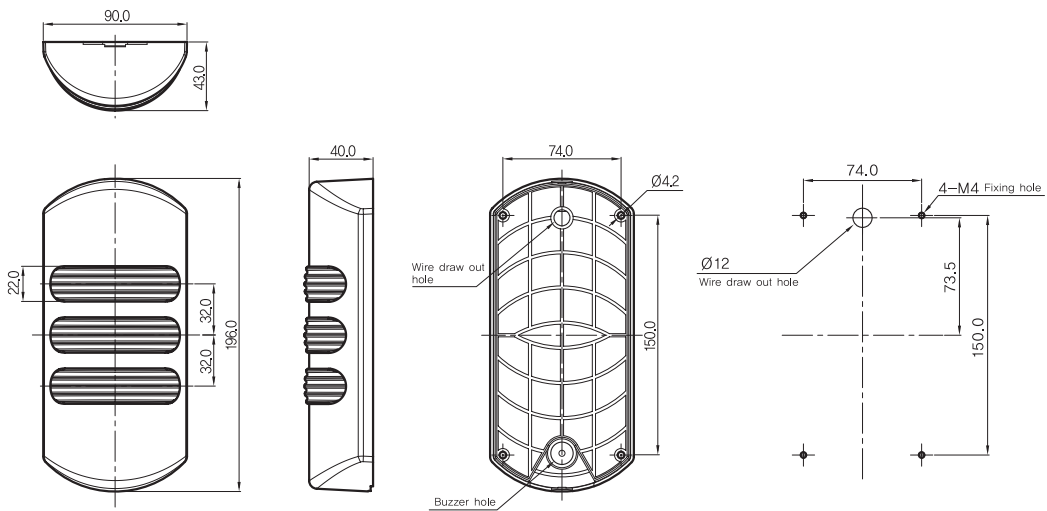
Model	WME-BA	WME-CA	WME-BF	WME-CF
Appearance	Beige color body	Chrome plating body	Beige color body	Chrome plating body
Function	Only for continuous light		Continuous light, flashing light, buzzer (selected by the external signal)	
Stacking number	3 stack			
Flashing time	-		Approx 60 times / 1min	
Buzzer	-		2 types of melodies (single melody/beeping) approx 80 dB (1 m distance)	
Power supply voltage	24 V d.c/a.c (dual usage), 50 – 60 Hz * 12 V d.c/a.c (Order made)			
Current consumption	Max 2.1 W			
Light source	LED			
Material	Lens : Polycarbonate (P.C), Body : ABS			
Lens color	Red, Yellow, Green			
Degree of protection	IP54			

● Slim type wall mounted light

It is able to install it on the wall in vertical direction or horizontal direction and since it is a slim type (extended 43mm), it occupies a less space to install.



● Dimension and panel cutout (unit : mm)



Control switch
Combination display light

Power switch
Main switch
Cam switch

Limit switch
Micro switch

Hoist switch
Foot switch
Mono lever switch

Signal tower
Signal light

Buzzer
Terminal block
Fuse holder

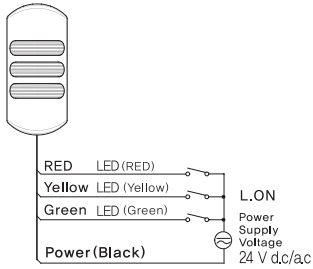
Control box
Cable connector

Discontinued Products

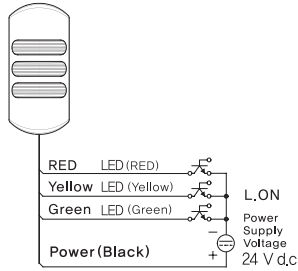
○ Connection diagram

■ WME-BA, WME-CA (Continuous light only)

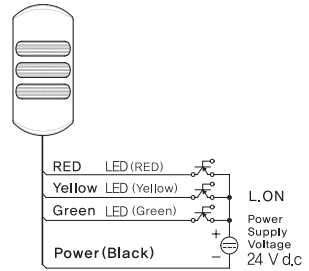
• Contact drive



• NPN transistor drive

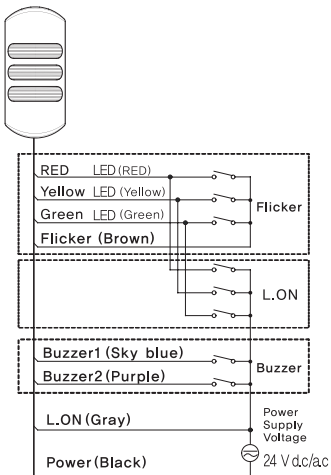


• PNP transistor drive

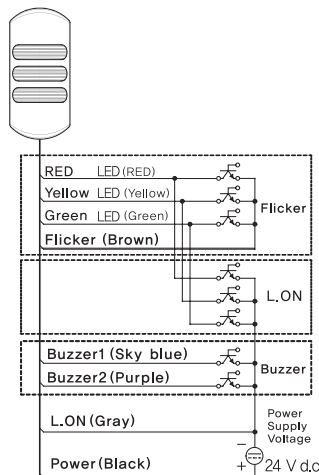


■ WME-BF, WME-CF (Continuous light, flashing light, buzzer)

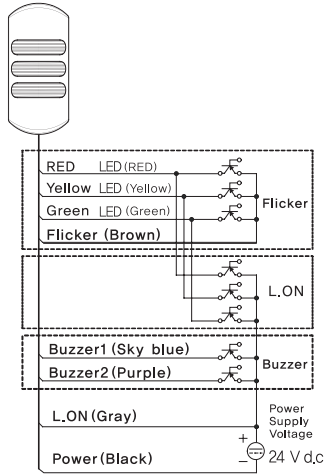
• Contact drive



• NPN transistor drive



• PNP transistor drive



※ Wire length : 1,000 mm

※ L.ON : Light on