

SLB series

Signal light

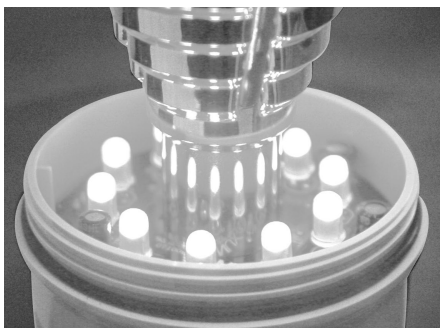
- Continuous light and buzzer selection by the external signal
- Long life expectancy by the HID LED light source
- Select Ø60 round type cap, rectangular type cap, direct installation, supporter mounting installation
- Economical price, simple installation structure
- Solid poly-carbonate material protective cap
- Degree of protection IP54



●● Suffix code

Model	Code	Description	
SLB	<input type="checkbox"/> <input type="checkbox"/> <input type="checkbox"/> <input type="checkbox"/>	Signal light	
Dimension	060	Ø70 cap	
Design and function	RA	Round type cap supporter mounting installation	
	XA	Rectangular type cap supporter mounting installation	
	PA	Round type cap direct installation	
	FA	Rectangular type cap direct installation	
	PF	Round type cap direct installation	Continuous light, flashing light and buzzer (selected by the external signal)
	FF	Rectangular type cap direct installation	
Power supply voltage	C51	24 V d.c/a.c 50 - 60 Hz	
	C41	12 V d.c/a.c 50 - 60 Hz (※ Order-made)	
	A11	110 - 240 V a.c, 50 - 60 Hz	
Cap color	R	Red	
	Y	Yellow	
	G	Green	

●● Reflector and LED structure



Control switch
Combination display light

Power switch
Main switch
Cam switch

Limit switch
Micro switch

Hoist switch
Foot switch
Mono lever switch

Sign tower
Signal light

Buzzer
Terminal block
Fuse holder

Control box
Cable connector


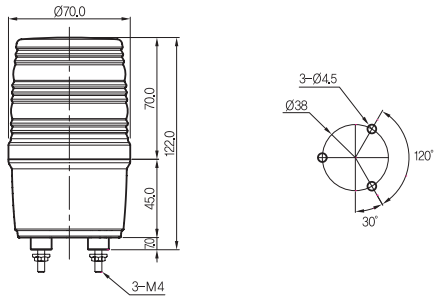

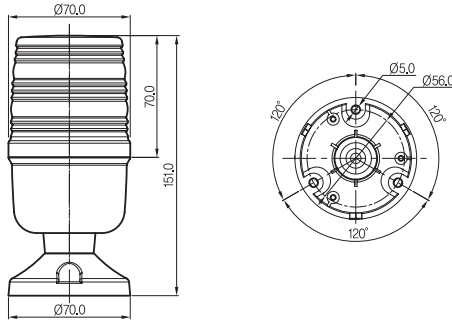
Discontinued Products

●● Specification


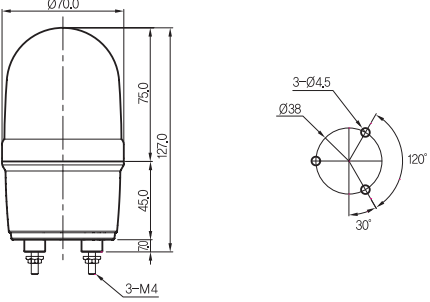

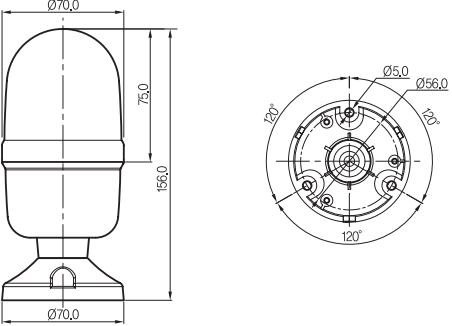
Model	SLB060-RA□□, SLB060-XA□□ SLB060-PA□□, SLB060-FA□□	SLB060-PF□□ SLB060-FF□□
Dimension	Round type cap (Ø70)	Rectangular type cap (Ø70)
Power supply voltage	24 V d.c/a.c, 100 – 240 V a.c 50 – 60 Hz	
Power consumption	Max 2 W (24 V d.c/a.c), Max 3.5 W (100 – 240 V a.c)	
Flickering speed	Approx 60 times/min	
Light source	LED	
Buzzer	2 types of buzzer melodies (single melody, beeping), volume 80 dB (1 m distance)	
Material	Protective cap: acryl resin, Body: ABS resin	
Cap color	Red, Yellow, Green	
Degree of protection	IP54	

●● Dimension and panel cutout (unit : mm)

■ Rectangular cap

Model	Appearance	Dimension and panel cutout
SLB-060FA SLB-060FF (Rectangular cap direct installation)		
SLB-060XA (Rectangular cap supporter mounting)		

■ Round cap

Model	Appearance	Dimension and panel cutout
SLB-060PA SLB-060PF (Round cap direct installation)		
SLB-060RA (Round cap supporter mounting)		

Control switch
Combination display light


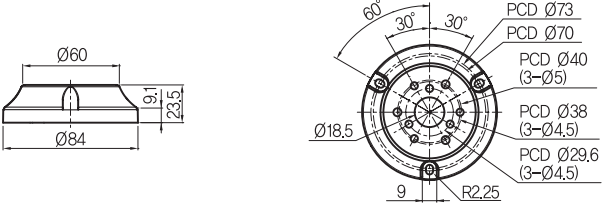
Power switch
Main switch
Cam switch

Limit switch
Micro switch

Hoist switch
Foot switch
Mono lever switch

Sign tower
Signal light

●● Supporter dimension (unit : mm)

Appearance	Dimension and panel cutout
 STM-84 (Optional)	

Buzzer
Terminal block
Fuse holder

Control box
Cable connector

Discontinued Products

※ Applied to the direct installation type

●● Connection diagram

■ Continuous light only

Model	Contact drive	NPN transistor drive	PNP transistor drive
SLB-060 □AC51	<p>LED(red) Power(black) Continuous light Power supply voltage 24 V d.c/a.c</p>	<p>LED(red) Power(black) Continuous light Power supply voltage 24 V d.c</p>	<p>LED(red) Power(black) Continuous light Power supply voltage 24 V d.c</p>

■ Continuous light and flashing light, buzzer

Model	Contact drive	NPN transistor drive	PNP transistor drive
SLB-060 □FC51	<p>LED(red) Flickering(brown) Flashing Continuous light Buzzer 1(Sky blue) Buzzer 2(Purple) Buzzer Continuous light(gray) Power supply voltage 24 V d.c/a.c Power(black)</p>	<p>LED(red) Flickering(brown) Flashing Continuous light Buzzer 1(Sky blue) Buzzer 2(Purple) Buzzer Continuous light(gray) Power supply voltage 24 V d.c Power(black)</p>	<p>LED(red) Flickering(brown) Flashing Continuous light Buzzer 1(Sky blue) Buzzer 2(Purple) Buzzer Continuous light(gray) Power supply voltage 24 V d.c Power(black)</p>

※ Buzzer melody classification : Buzzer 1 – Single melody
Buzzer 2 – Beeping